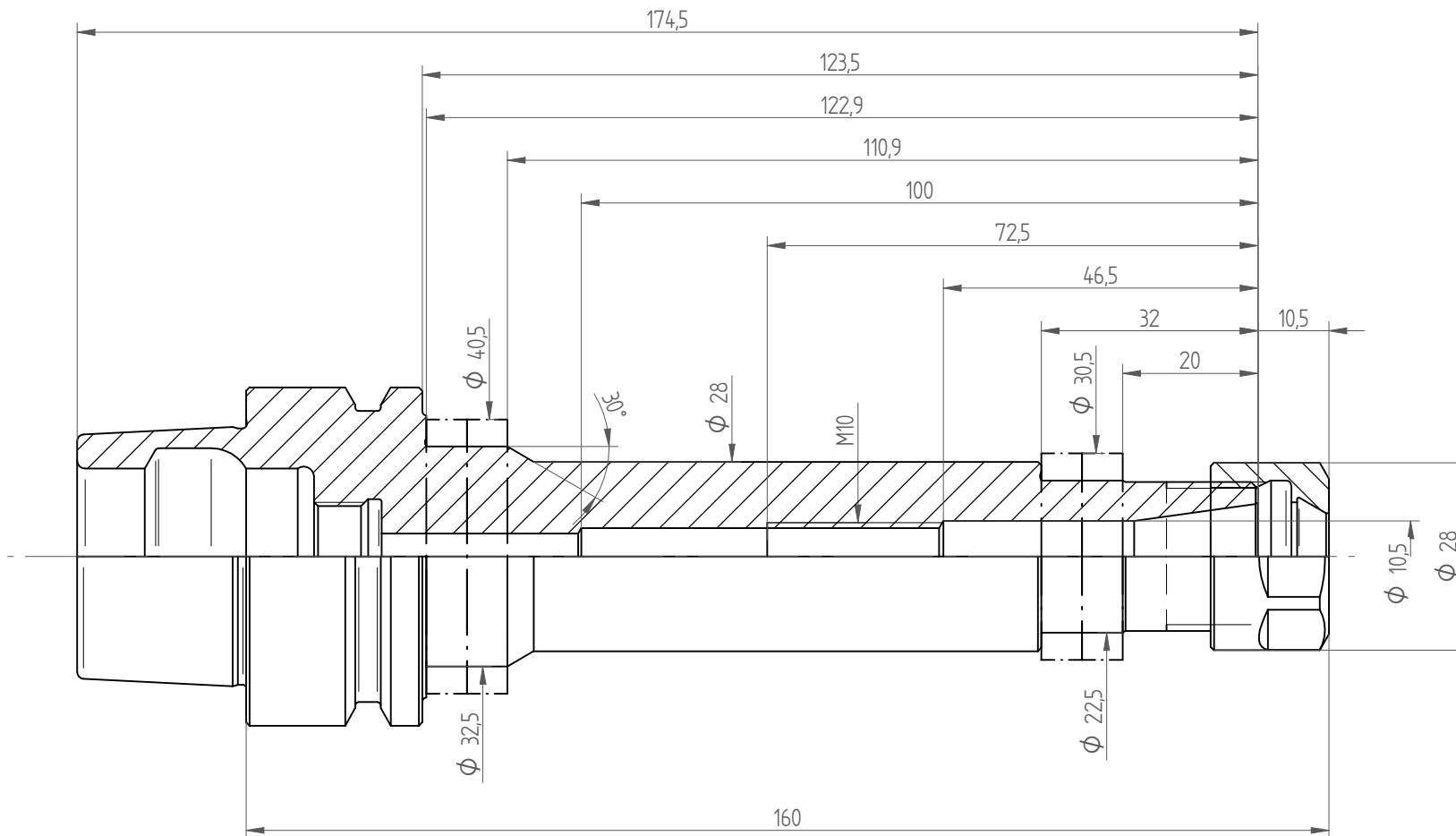




Swiss
Precision
Tools

REGO-FIX®

- ER type toolholders are supplied without back-up screws.
 - Back-up screws will be supplied upon request.
 - With your back-up screw order, part no. (X) and LOT no. (Y) XXXX.XXXXX.YYY of the toolholder are mandatory required.
 - Die Lieferung der ER-Spannzangenauflagen erfolgt ohne Anschlagsschrauben.
 - Anschlagsschrauben werden auf Anfrage geliefert.
 - Eine Bestellung von Anschlagsschrauben bedingt zwingend die Angabe der Art. Nr. (X) und LOT Nr. (Y) XXXX.XXXXX.YYY der Spannzangenauflage.



REGO-FIX AG
 Obermattweg 60
 4456 Tenniken / Switzerland

Phone +41 61 976 14 66
 Fax +41 61 976 14 14
 www.rego-fix.com

This is a non controlled copy. All information given herein are subject to change without notice

The information given herein has been carefully checked and is believed to be correct. REGO-FIX, however, assumes no responsibility or liability for any errors, inaccuracies or omissions that may appear in this drawing

This document is subject to copyright laws. No part of this document may be reproduced or transmitted in any form or any means, electronic or mechanic, for any purpose, without the express written permission of REGO-FIX

Type : HSK-E50_ER16x160_H
 Part No. : 455011684
 Date : 15.03.2013
 Scale : 1:1